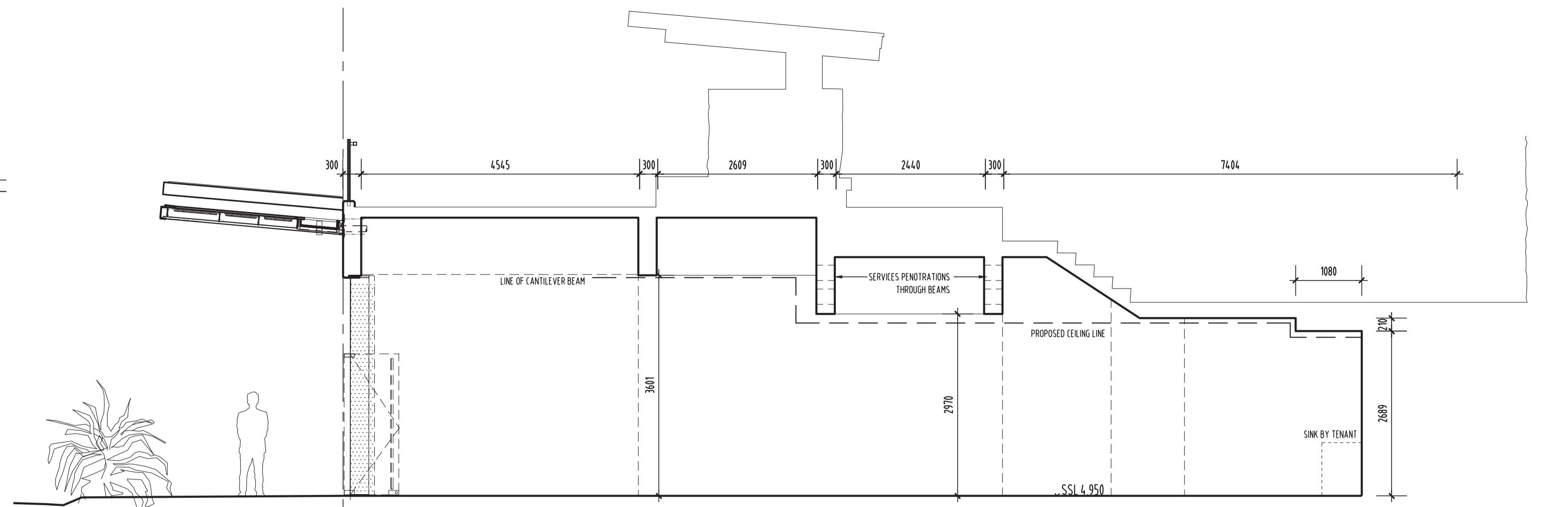
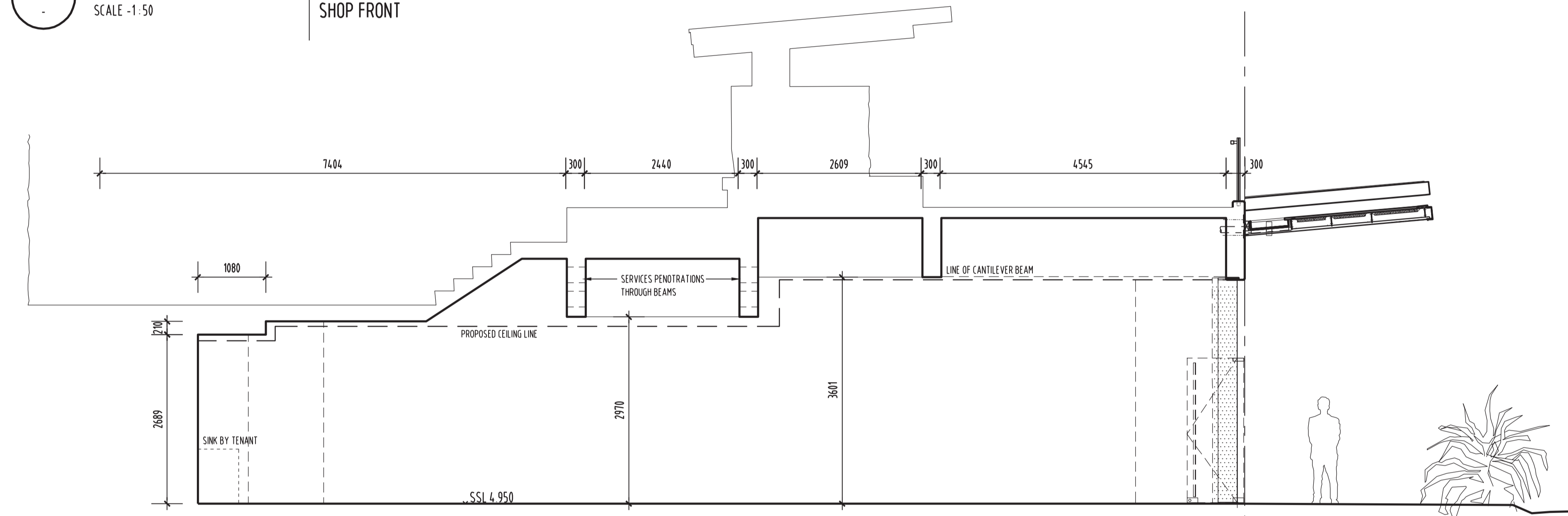


1 TENANCY R15 - FLOOR PLAN
SCALE - 1:50

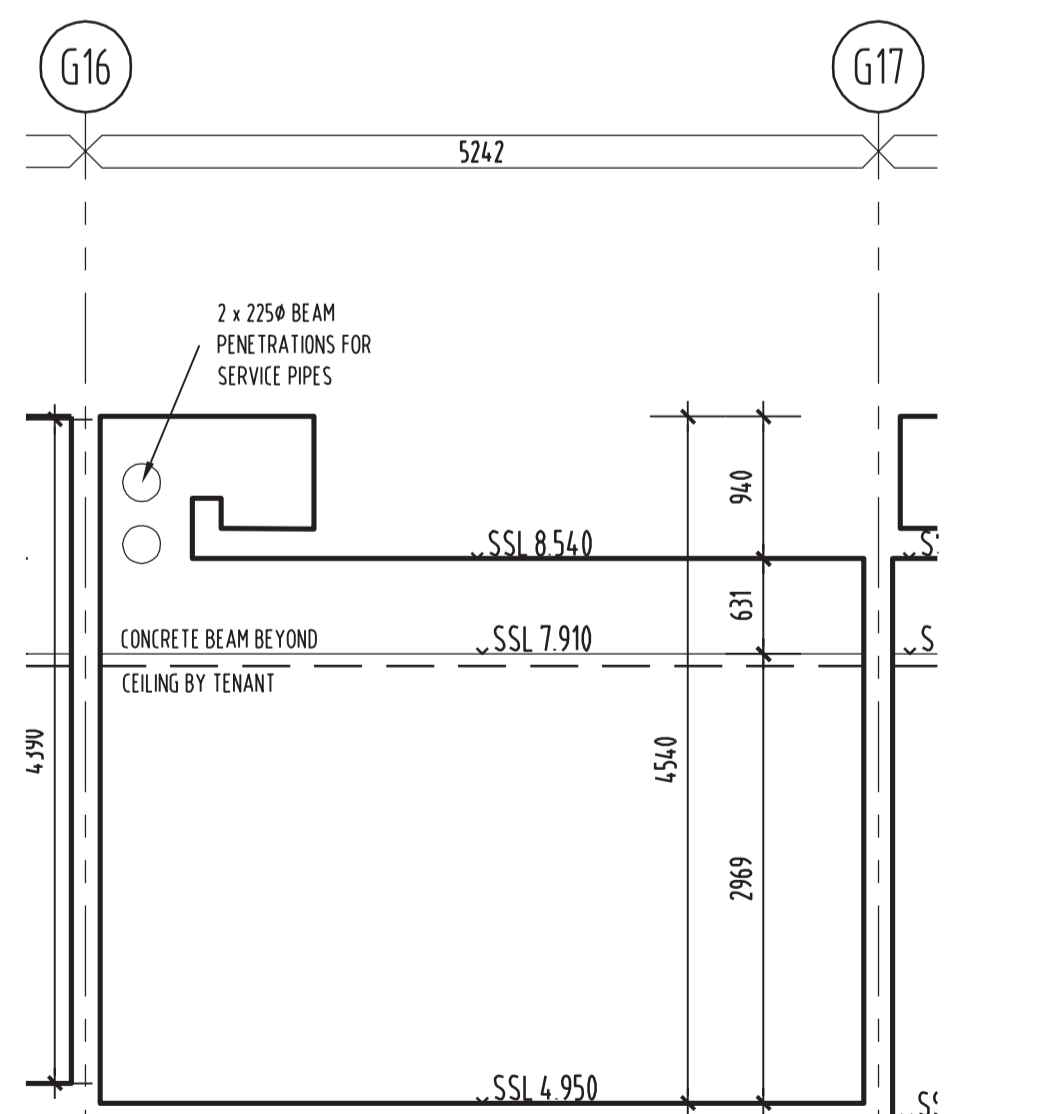
2 TENANCY R15 - REFLECTED CEILING PLAN
SCALE - 1:50



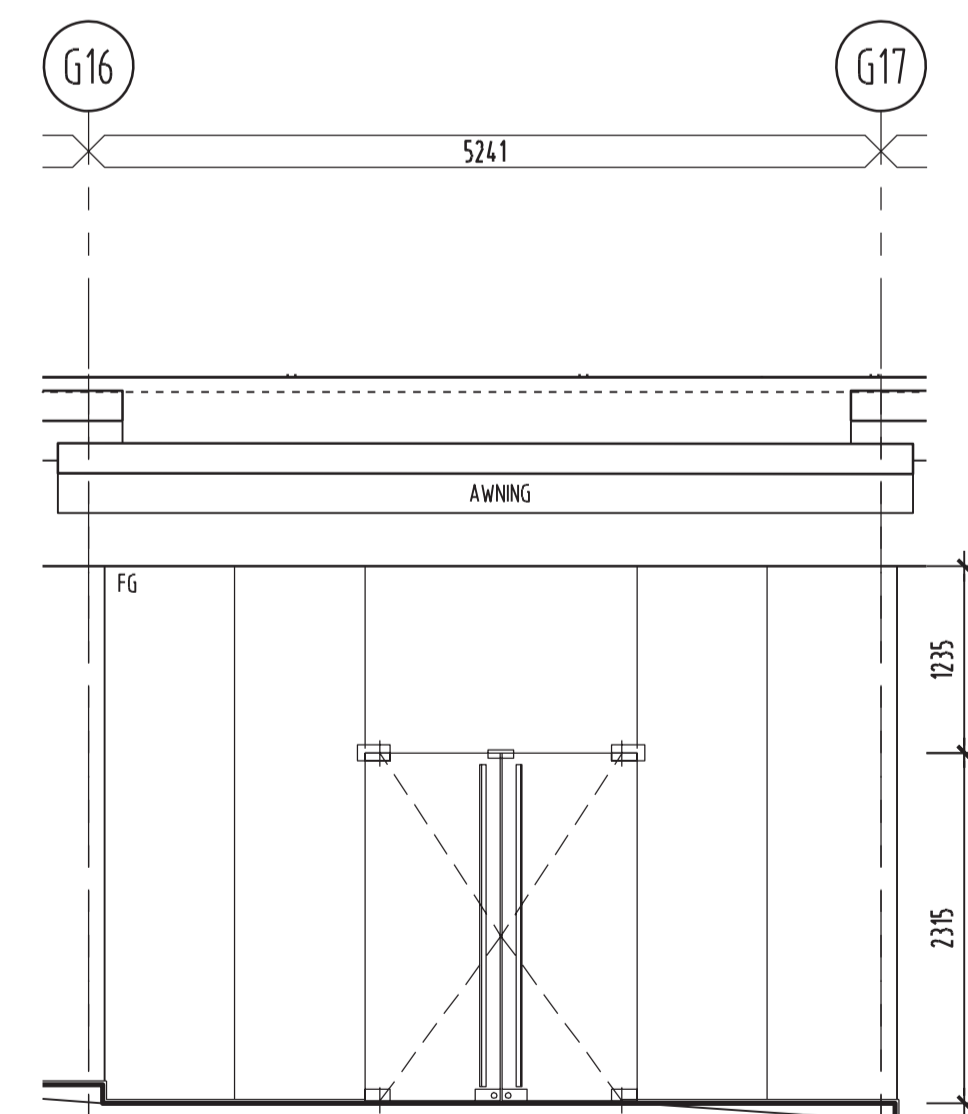
A TENANCY SECTION - WEST
SCALE - 1:50
FRONT ALIGNMENT SHOP FRONT



B TENANCY SECTION - EAST
SCALE - 1:50
FRONT ALIGNMENT SHOP FRONT



C TENANCY R15 - CROSS SECTION / REAR ELEVATION
SCALE - 1:50



D TENANCY R15 - FRONT ELEVATION
SCALE - 1:50

NOTE
ACCURACY OF FIGURED DIMENSIONS IS NOT GUARANTEED AND AS BUILT DIMENSIONS SHOULD BE CONFIRMED BY SITE MEASUREMENT